

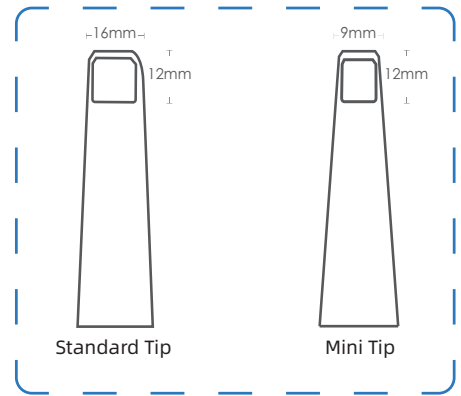


GO DIGITAL FOR
FREE

with Sun Dental's fully integrated
3D digital solutions.



Shining 3D Scanner



Automatic anti-fogging

Autoclavable 100 times

One-button control

Ergonomic design for optimal handheld operation

Light weight: 250g

Dynamic LED indicator



Excellent Scanning Performance

Shining 3D Scanner optimizes hardware structure and software algorithms to ensure high accuracy and quality, providing realistic and reliable digital impressions for denture applications.



Faster Scan

AI-powered scanning capabilities ensure a fast and smooth scanning experience, saving chairside time and providing more comfort to patients.



More Accurate Scans

Thanks to optimized algorithms and imaging mechanism, Shining 3D Scanner carries out more accurate and precise results by 30%, meeting the clinical needs of different applications.



Greater Scan Depth

Shining 3D Scanner is suitable for various clinical scenarios including acquiring scan bodies and periodontal scans.



User-Friendly

Smart and Intuitive - Smooth Scanning Experience for Dentists

With powerful and intelligent data processing capabilities, Shining 3D Scanner requires minimal effort. Even beginners can acquire ideal scan results in minutes.



Intuitive UI

Neater and more user-friendly interface.
More flexible workflow.



AI Scan

Automatically identifies and filters out any unnecessary soft tissue data during scanning, resulting in a quicker and cleaner scan process.



Motion Sensing

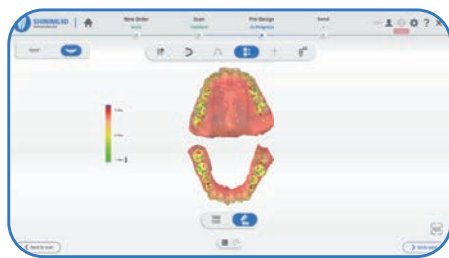
Dentists can scan with minimal contact with the computer, ensuring a safe and efficient scan experience.

Clinical Toolkit

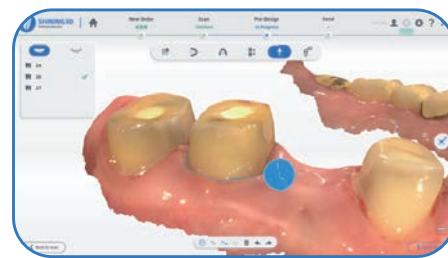
The clinical toolkit assists dentists to evaluate and pre-design the scanned data in their own clinic. It facilitates effective communication with dental labs to deliver quality dental work with high efficiency.



Undercut Check



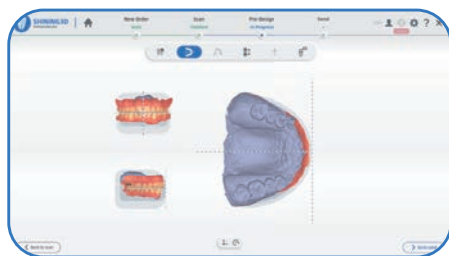
Bite Check



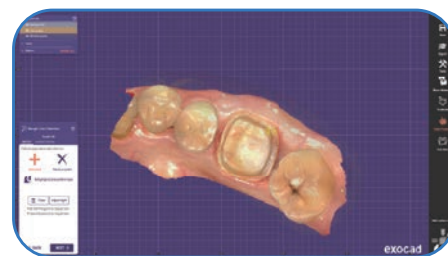
Margin Line Auto Extraction



Tooth Marking



Coordinate Adjustment



Direct Export into exocad

Efficient Dentist - Technician Collaboration

Standard and Unlimited - Seamless Collaboration for Dentists and Technicians

Shining 3D Scanner helps streamline collaboration between clinics and labs to achieve efficient and effective restorative works.

Cloud Data Platform

SHINING 3D's cloud data platform enables secure data transmission, making it convenient for communication between clinics and dental labs.





FULL SERVICE DIGITAL LAB
WE ACCEPT FILES FROM ALL DIGITAL SCANNERS

1800 9th Avenue North | St. Petersburg, FL 33713 | (866) 561-9777

sundentallabs.com